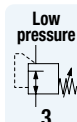


LOW PRESSURE REGULATORS

	DESCRIPTION	SUPPLY PRESSURE	PRESSURE RANGE	CONNECTION	SERIES	PAGE
		max. bar	mbar	thread		
STANDARD	also for propane and other gases	16	factory-set 50	G $\frac{1}{4}$ - G $\frac{1}{2}$	R01	3.02
	miniature, manually adjustable	16	25 ... 50 / 1400	G $\frac{1}{4}$ and G $\frac{3}{8}$	R01-5/-6	3.03
	miniature	10	20 ... 150	G $\frac{1}{2}$	R01-4	3.03
	for many different gases	0.4	2 ... 16 / 160	G $\frac{1}{2}$ - G2	RGDJ	3.04
	for many different gases	4	5 ... 12 / 350	G $\frac{1}{2}$ - G1 $\frac{1}{2}$	RGB4	3.05
	for many different gases	10	5 ... 45 / 1500	G $\frac{1}{2}$ - G2	R160/R161	3.06
	for many different gases	20	10 ... 18 / 4400	G1 - flange DN50	RZ	3.08
PRECISE	with relieving function	10	2 ... 45 / 350	G $\frac{3}{8}$ - G $\frac{3}{4}$	R4100	3.09
	for pure gases 5.0	20	5 ... 50 / 1500	G $\frac{1}{2}$	RR	3.10
	Nullmatic	35	2 ... 120 / 31000	$\frac{1}{4}$ "NPT	R40	www*
	relatively small	10	2 ... 35 / 800	G $\frac{1}{4}$ - G $\frac{1}{2}$	R110	5.11
MADE OF STAINLESS STEEL	for many different gases	7	5 ... 45 / 3000	G $\frac{1}{2}$ - G2	R3100	15.14
VOLUME BOOSTER	for many different gases	20	10 ... 350 / 1000	G1 - G2	RZ-J	6.12
	for many different gases	0.4	2 ... 55 / 100	G $\frac{1}{2}$ - G2	RGDJ-J	6.15
	for many different gases	4	5 ... 350	G $\frac{1}{2}$ - G1 $\frac{1}{2}$	RGB4-J	6.15
BACK PRESSURE REGUL.	precise	10	2 ... 35 / 800	G $\frac{1}{4}$ - G $\frac{1}{2}$	DB110	8.08
	precise	6	5 ... 45 / 3000	G $\frac{1}{2}$ - G2	DBC	8.11



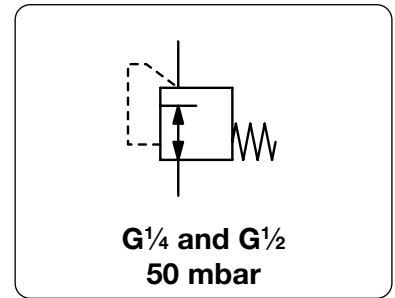
3

* see in our Webshop: www.aircom.net

LOW PRESSURE REGULATOR WITH FACTORY-SET OUTLET PRESSURE OF 50 MBAR

R01

Description	Low pressure regulator with factory-set outlet pressure of 50 mbar and an integrated safety valve, (except for regulator R01-415), which opens at approx. 130-150 mbar. Therefore not for gas pressure regulation in closed rooms.	
Media	compressed air, propane, butane or other non-corrosive gases	
Supply pressure	max. 16 bar at R01-415, R01-405,	max. 2.5 bar bei R01-319/-604/-641
Accuracy	at max. supply pressure and flow:	< 15 % FS pressure deviation
	at max. supply pressure without flow:	< 25 % FS pressure deviation
	at min. supply pressure and flow:	< 5 % FS pressure deviation
Air consumption	without constant bleed	
Relieving function	non-relieving	
Gauge port	G $\frac{1}{4}$ on one side of the body, except on R01-319/-415	
Mounting position	any	
Temperature range	-20 °C to 60 °C / -4 °F to 140 °F	
Material	Body: zinc die-cast, chrome-plated	Inner valve: brass
	Elastomer: NBR/Buna-N	

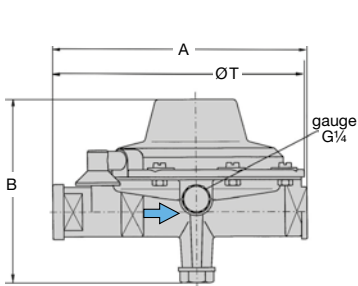


Dimensions			Flow rate		Supply pressure	Connection	Outlet pressure	Order number
A	B	ØT	m 3 /h	l/min	max. bar	G	mbar	

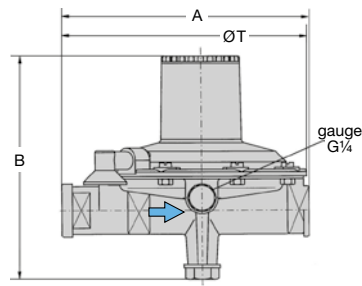
Low pressure regulator					supply pressure max. 2.5 / 16 bar, non-relieving, 50 mbar factory-set	R01		
100	44	86	1.2	20	16	G $\frac{1}{4}$	50	R01-415
138	92	118	3.0	50	2.5	G $\frac{1}{2}$	50	R01-604
138	117	118	9.6	160	2.5	G $\frac{1}{2}$	50	R01-641
160	133	145	19.8	330	2.5	G $\frac{1}{2}$	50	R01-319
138	92	118	3.0	50	16	G $\frac{1}{2}$	50	R01-405



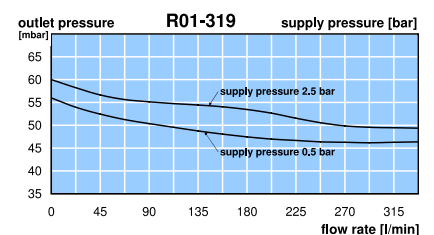
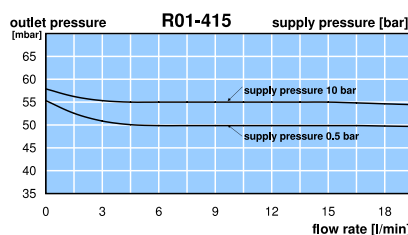
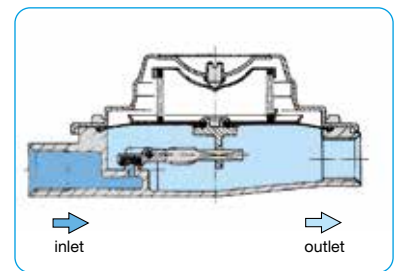
Accessories, enclosed				
pressure gauge	Ø 63 mm, 0...60 mbar, G $\frac{1}{4}$	not for R01-319/-415	MA6302-B6	



R01-405 / -604



R01-641



* Product group

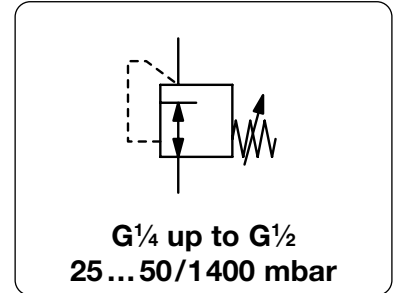
Gauges: see chapter for measuring devices

PDF CAD
www.aircom.net



Order example:
R01-415

Description	The low pressure regulator is manually adjustable. Version R01-4 has an integrated safety valve which opens at a pressure of 1.5 times of the max. outlet pressure, thus not suitable for gas pressure regulation in closed rooms.		
Media	compressed air, propane, butane or other non-corrosive gases as well as oil		
Supply pressure	max. 16 bar at R01-5/-6, max. 10 bar at R01-4		
Accuracy	at min. supply pressure and flow: < 5% FS pressure deviation at max. supply pressure and flow: < 15% FS pressure deviation at max. supply pressure without flow: < 25% FS pressure deviation		
Air consumption	without constant bleed		
Adjustment	R01-5/-6:	by adjusting knob a. dial enabling eleven settings for different outlet pressures	
Relieving function	R01-4:	by T-handle with locknut	
Gauge port	non-relieving		
Temperature range	G $\frac{1}{4}$ on one side of the body, except on R01-5/-6 -20 °C to 60 °C / -4 °F to 140 °F		
Material	Body: zinc die-cast	Elastomer: NBR/Buna-N	Inner valve: brass



Dimensions			Flow rate l/min	Supply pressure empfohlen	Connection thread G	Pressure range mbar	Order number
A mm	B mm	ØT mm					

Low pressure regulator				supply pressure max. 16 bar, non-relieving, without gauge port	R01-5/-6	
100	68	68	13	2.5	G $\frac{1}{4}$ 25... 50	R01-524-00
100	68	68	7	6.0	G $\frac{1}{4}$ 20... 200	R01-524-05
100	68	68	26	6.0	G $\frac{1}{4}$ 70... 200	R01-522-01
100	68	68	50	2.5	G $\frac{1}{4}$ 30... 200	R01-524-06
103	50	83	40	6.0	G $\frac{3}{8}$ *1 350... 1400	R01-626
103	50	83	140	6.0	G $\frac{3}{8}$ *1 350... 1400	R01-627

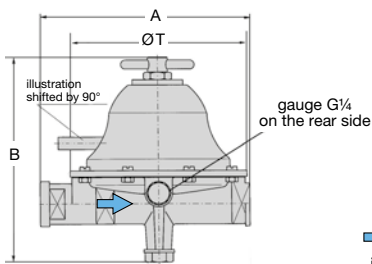


Low pressure regulator				supply pressure max. 10 bar, non-relieving	R01-4	
138	127	117	140	2.5	G $\frac{1}{2}$ 20... 150	R01-411-01

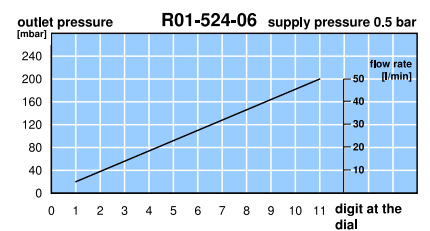
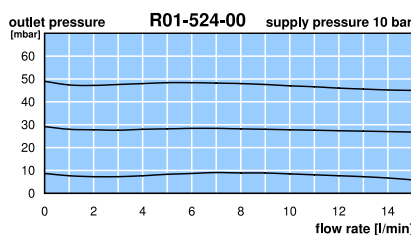
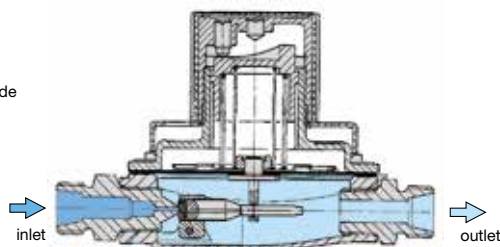


Accessories, enclosed B*

pressure gauge Ø 63 mm, 0 ... 250 mbar, G $\frac{1}{4}$, capsule type for R01-411-01 **MA6302-C3**



R01-411



*1 G $\frac{1}{4}$ eingangsseitig *2 G $\frac{1}{2}$ eingangsseitig

* Product group

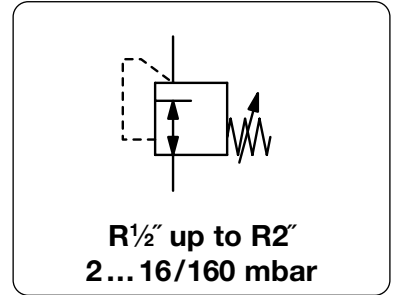
Gauges: see chapter for measuring devices

PDF CAD
www.aircom.net



Order example:
R01-524-00

Description	Highly sensitive low pressure regulator with inlet pressure compensation for high precision regulation. Zero shut-off prevents outlet pressure from increasing.	
Media	compressed air or non-corrosive gases, dryly biogas H ₂ S < 200 ppm	
Supply pressure	max. 400 mbar	
Air consumption	without constant bleed	
Adjustment	manual by turning the spindle under the cover of the spring cage	
Relieving function	non-relieving	
Accuracy	at maximum volume flow: < 20% FS pressure deviation	
Gauge port	none as standard, optionally gauge port G $\frac{1}{4}$ on one side from size R $\frac{3}{4}$ " on	
Mounting position	any, preferably bonnet upwards	
Temperature range	-20 °C to 70 °C / -4 °F to 158 °F	
Material	Body: aluminium Elastomer: NBR/Buna-N	Inner valve: aluminium and plastic



Dimensions			Nominal size	K _v -value	Flow rate		Connection thread	Pressure range	Order number
A	B	C	DN	(m ³ /h)	m ³ /h*1	l/min*1	R	mbar	

Low pressure regulator										supply pressure max. 400 mbar, non-relieving	RGDJ
100	120	30	15	0.66	12	200	1/2"	2 ... 16	RGDJ-04A		
								10 ... 20	RGDJ-04B		
								16 ... 28	RGDJ-04C		
								22 ... 40	RGDJ-04D		
								40 ... 55	RGDJ-04E		
125	166	34	20	1.49	27	450	3/4"	5 ... 15	RGDJ-06A		
								12 ... 25	RGDJ-06B		
								22 ... 35	RGDJ-06C		
								30 ... 50	RGDJ-06D		
								45 ... 65	RGDJ-06E		
								60 ... 80	RGDJ-06G		
								75 ... 100	RGDJ-06I		
								100 ... 160	RGDJ-06L		
125	166	34	25	2.6	51	850	1"	pressure range see R3/4	RGDJ-08.		
155	194	45	40	4.9	90	1500	1 1/2"	5 ... 15	RGDJ-12A		
								12 ... 25	RGDJ-12B		
								22 ... 35	RGDJ-12C		
								30 ... 50	RGDJ-12D		
								45 ... 65	RGDJ-12E		
								60 ... 80	RGDJ-12G		
								75 ... 100	RGDJ-12I		
								100 ... 160	RGDJ-12L		
200	219	52	50	6.6	120	2000	2"	5 ... 15	RGDJ-16A		
								12 ... 25	RGDJ-16B		
								22 ... 35	RGDJ-16C		
								30 ... 50	RGDJ-16D		
								45 ... 65	RGDJ-16E		
								60 ... 80	RGDJ-16G		
								75 ... 100	RGDJ-16I		

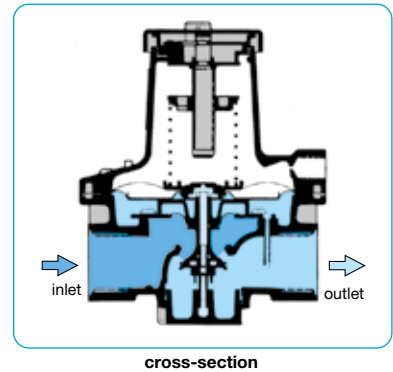
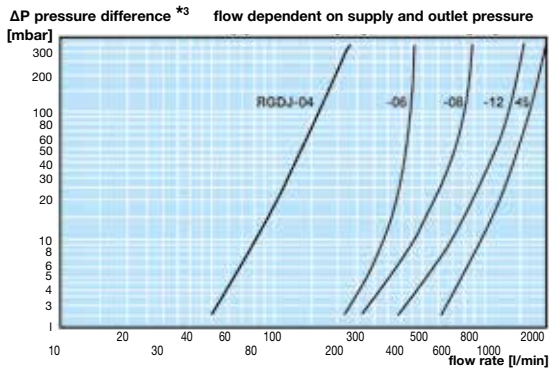
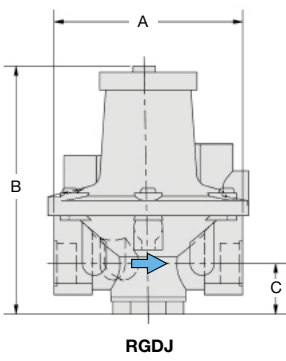


Special options, add the appropriate letter

Connection thread G $\frac{1}{4}$	for pressure gauge	not for R $\frac{1}{2}$ "	RGDJ - . . . M
-----------------------------------	--------------------	---------------------------	----------------

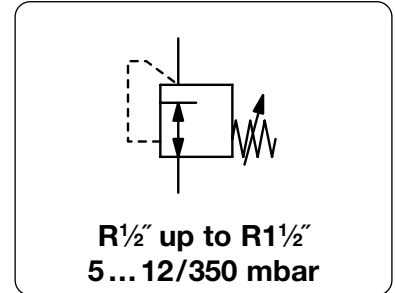
Accessories, enclosed

pressure gauge	Ø 63 mm, 0...*2 mbar, G $\frac{1}{4}$	from R $\frac{3}{4}$ "	MA6302-..*2
----------------	---------------------------------------	------------------------	-------------



*1 at 350 mbar supply pressure and 100 mbar outlet pressure
 *2 B6 = 0...60 mbar, C2 = 0...160 mbar
 *3 $\Delta p = P_1 - P_2$, difference between supply and outlet pressure

Description	Highly sensitive low pressure regulator with inlet pressure compensation for high precision regulation. Zero shut-off prevents outlet pressure from increasing.	
Media	compressed air or non-corrosive gases	
Supply pressure	max. 4 bar	
Air consumption	without constant bleed	
Adjustment	manual by turning the spindle under the cover of the spring cage	
Relieving function	non-relieving	
Accuracy	max. < 20% pressure drop at full flow	
Gauge port	G $\frac{1}{4}$ on one site at R1 $\frac{1}{2}$ "	optionally G $\frac{1}{4}$ at R $\frac{1}{2}$ " and R1"
Mounting position	any, preferably bonnet upwards	
Temperature range	-15 °C to 60 °C / 5 °F to 140 °F	
Material	Body: aluminium Elastomer: NBR/Buna-N	Inner valve: aluminium and plastic



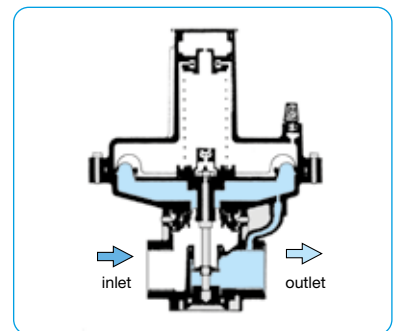
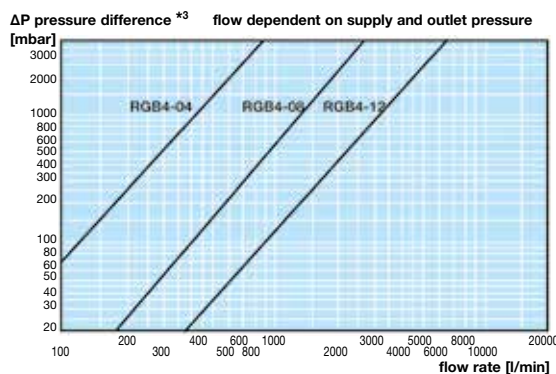
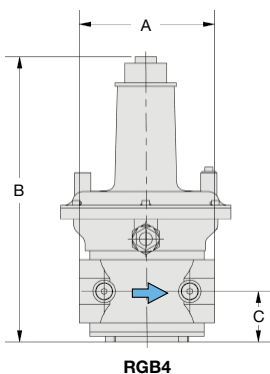
Dimensions			Nominal size	K _v -value	Flow rate	Connection thread	Pressure range	Order number
A	B	C	DN	(m ³ /h)	m ³ /h*1	R	mbar	

Low pressure regulator									supply pressure max. 4 bar, non-relieving	RGB4																	
148	174	24	15	0.62	42	700	½"	5 ... 12	10 ... 30	25 ... 45	40 ... 60	55 ... 75	70 ... 90	85 ... 105	100 ... 160	150 ... 230	220 ... 350	RGB4-04A	RGB4-04C	RGB4-04D	RGB4-04E	RGB4-04F	RGB4-04G	RGB4-04H	RGB4-04I	RGB4-04K	RGB4-04L
192	230	33	25	2.5	168	2800	1"	5 ... 12	10 ... 30	25 ... 45	40 ... 60	55 ... 75	70 ... 90	85 ... 105	100 ... 160	150 ... 230	220 ... 350	RGB4-08A	RGB4-08C	RGB4-08D	RGB4-08E	RGB4-08F	RGB4-08G	RGB4-08H	RGB4-08I	RGB4-08K	RGB4-08L
150	265	55	40	5	336	5600	1½"	5 ... 12	10 ... 30	25 ... 45	40 ... 60	55 ... 75	70 ... 90	85 ... 105	100 ... 160	150 ... 230	220 ... 350	RGB4-12A	RGB4-12C	RGB4-12D	RGB4-12E	RGB4-12F	RGB4-12G	RGB4-12H	RGB4-12I	RGB4-12K	RGB4-12L



Special options, add the appropriate letter
 connection thread G $\frac{1}{4}$ for pressure gauge for R $\frac{1}{2}$ " and R1" RGB4-...M

Accessories, enclosed
 pressure gauge Ø 63 mm, 0...*2 mbar, G $\frac{1}{4}$ MA6302-..*2



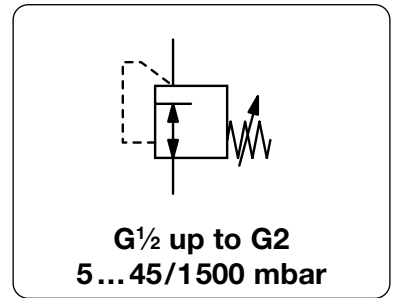
*1 at 4 bar supply pressure and 100 mbar outlet pressure
 *2 B6 = 0...60 mbar, C2 = 0...160 mbar, C3 = 0...250 mbar, C4 = 0...400 mbar
 *3 ΔP = P₁ - P₂ difference between supply and outlet pressure

Gauges: see chapter for measuring devices

PDF CAD
 www.aircom.net

* Product group
 Order example:
RGB4-04A

Description	Low pressure regulator with large diaphragm for good accuracy and high sensitivity.	
Media	compressed air or non-corrosive gases	
Supply pressure	see chapter, max. 10 bar (bei R161), min. 1 bar	
Air consumption	without constant bleed	
Adjustment	with handwheel by R161	with adjusting screw on R160-06 to -1A (A, B, C), -12 and -16 by hexagon head screw with locknut
Relieving function	non-relieving	
Gauge port	G $\frac{1}{4}$ on both sides of the body, screw plug supplied	Mounting position any
Temperature range	-20 °C to 80 °C / -4 °F to 176 °F	
Material	Body: aluminium coated O-rings: FKM by G $\frac{1}{2}$, all other NBR/Buna-N, optionally FKM or EPDM Diaphragm: NBR/Buna-N with PTFE coating Inner valve: brass / aluminium Spring cage: stainless steel	



Dimensions			K _v -value	Flow rate		P ₁ max.	Connection thread	Pressure range	Order number
A	B	C		m ³ /h	l/min*1				

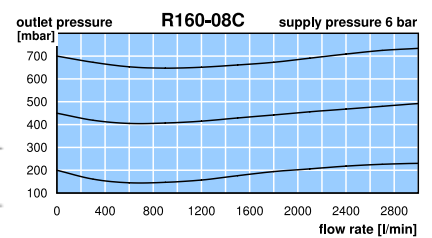
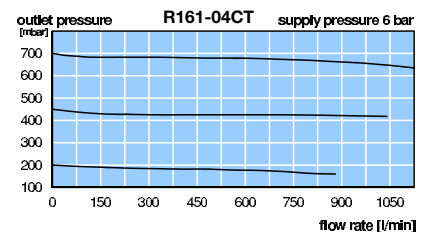
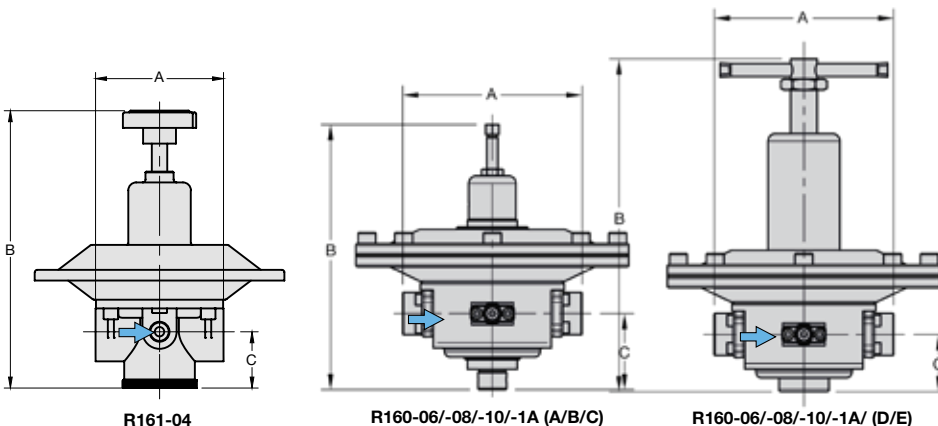
Low pressure regulator										supply pressure max. 7 / 10 bar, non-relieving, without constant bleed	R160 / R161
82	191	40	1.4	60	1000	10	G $\frac{1}{2}$	5 ... 45	R161-04AT		
								10 ... 400	R161-04BT		
								20 ... 1000	R161-04CT		
								50 ... 1500	R161-04DT		
154	233	69	1.4	84	1400	7	G $\frac{3}{4}$	5 ... 45	R160-06A		
								10 ... 120	R160-06B		
								10 ... 400	R160-06C		
154	292	53	8.4	576	9600			15 ... 700	R160-06D		
								200 ... 1200	R160-06E		
154	233	69	1.4	84	1400	7	G1	5 ... 45	R160-08A		
								10 ... 120	R160-08B		
								10 ... 400	R160-08C		
154	292	53	8.4	576	9600			15 ... 700	R160-08D		
								200 ... 1200	R160-08E		
265	233	69	1.4	84	1400	7	G1 $\frac{1}{4}$	5 ... 45	R160-10A		
								10 ... 120	R160-10B		
								10 ... 400	R160-10C		
265	292	53	8.4	576	9600			15 ... 700	R160-10D		
								200 ... 1200	R160-10E		
265	233	69	1.4	84	1400	7	G1 $\frac{1}{2}$	5 ... 45	R160-1AA		
								10 ... 120	R160-1AB		
								10 ... 400	R160-1AC		
265	292	53	8.4	576	9600			15 ... 700	R160-1AD		
								200 ... 1200	R160-1AE		



R161-04



R160-06/-08/-10/-1A (A/B/C)

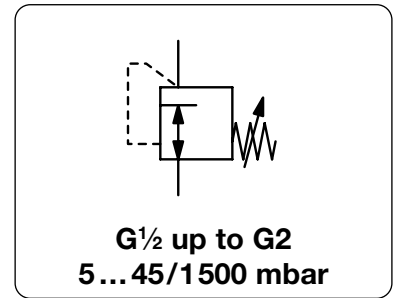


*1 at 6 bar supply pressure and max. outlet pressure

* Product group



Description	Low pressure regulator with large diaphragm for good accuracy and high sensitivity.	
Media	compressed air or non-corrosive gases	
Supply pressure	see chapter, max. 10 bar (bei R161), min. 1 bar	
Air consumption	without constant bleed	
Adjustment	with handwheel by R161	with adjusting screw on R160-06 to -1A (A, B, C), -12 and -16 by hexagon head screw with locknut
Relieving function	non-relieving	
Gauge port	G $\frac{1}{4}$ on both sides of the body, screw plug supplied	Mounting position any
Temperature range	-20 °C to 80 °C / -4 °F to 176 °F	
Material	Body: aluminium coated O-rings: FKM by G $\frac{1}{2}$, all other NBR/Buna-N, optionally FKM or EPDM Diaphragm: NBR/Buna-N with PTFE coating Inner valve: brass / aluminium Spring cage: stainless steel	



Dimensions			K _v -value	Flow rate		P ₁ max.	Connection thread	Pressure range	Order number
A	B	C		m ³ /h	l/min*1				

Low pressure regulator										supply pressure max. 7 / 10 bar, non-relieving, without constant bleed	R160
192	468	128	6.2	420	7000	6	G1 $\frac{1}{2}$	20 ... 50	R160-12A		
								50 ... 150	R160-12B		
								150 ... 300	R160-12C		
			25	1680	28000			100 ... 1000	R160-12D		
192	468	128	6.2	420	7000	6	G2	20 ... 50	R160-16A		
								50 ... 150	R160-16B		
								150 ... 300	R160-16C		
			25	1680	28000			100 ... 1000	R160-16D		

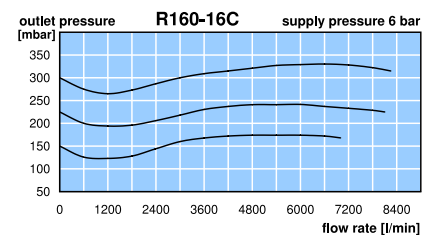
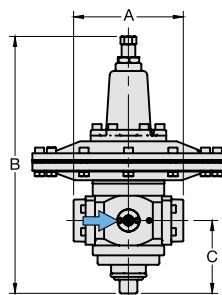
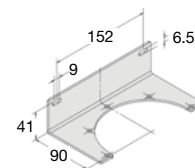


Special options, add the appropriate letter

NPT	connection thread, A=141 mm	for G $\frac{1}{2}$	R160... N
NPT	connection thread	for G $\frac{3}{4}$ to G2	R160... N
SST inner parts	for ammonia NH ₃		R160... 02
FKM -O-ring	PTFE diaphragm	for G3/4 to G2	R160... T
EPDM-O-ring			R160... TE
EPDM-O-ring	FDA-approval		R160... TD
carbon dioxide CO₂			R160... 03
argon	Ar		R160... 05
nitrogen	N ₂		R160... 07
helium	He		R160... 09
hydrogen	H ₂		R160... 11
methane	CH ₄		R160... 13
natural gas *4			R160... 14
oxygen	O ₂	for G $\frac{1}{2}$ bis G1 $\frac{1}{2}$ (1A)	R160... 15
propane	C ₃ H ₈		R160... 16
nitrous oxide	N ₂ O		R160... 17
flange connection	see chapter for stainless steel devices		R160... F.

Accessories, enclosed

pressure gauge	Ø 63 mm, 0...*2 mbar, G $\frac{1}{4}$, capsule type, connection parts required	MA6302-... *2
	Ø 63 mm, 0...*2 bar, G $\frac{1}{4}$, Bourdon tube, connection parts required	MA6302-... *2
connection parts	for pressure gauge, made of brass, not for NH ₃	for G $\frac{1}{2}$ AM-01
connection parts	for pressure gauge, made of stainless steel, for NH ₃	for G $\frac{1}{2}$ AM-03S
mounting bracket	made of stainless steel	for G $\frac{1}{2}$ BW00-26S



*1 at 6 bar supply pressure and max. outlet pressure
 *2 B6 = 0...60 mbar, C2 = 0...160 mbar, C3 = 0...250 mbar, C4 = 0...400 mbar, 01 = 0...1 bar, 01.6 = 0...1,6 bar
 *4 without DVGW approval

Gauges: see chapter for measuring devices

PDF CAD
www.aircom.net

* Product group

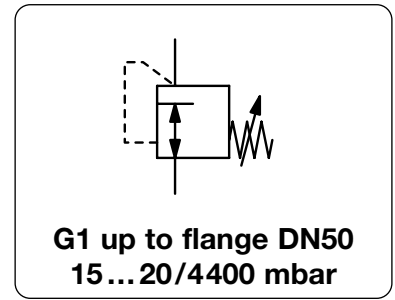


Order example:
R160-12A

LOW PRESSURE REGULATOR, SUPPLY PRESSURE MAX. 20 BAR

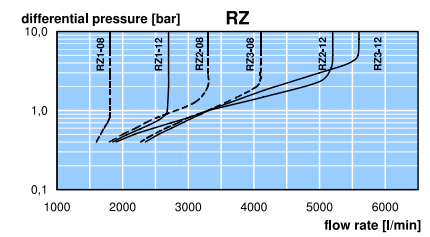
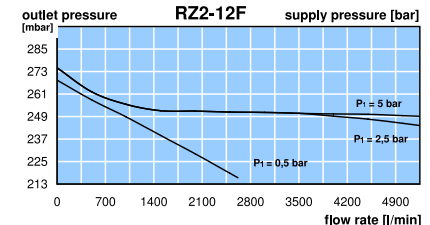
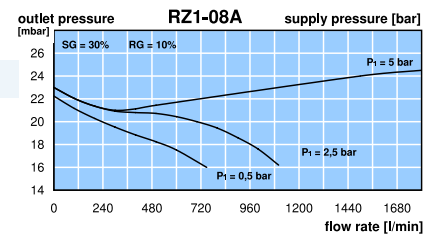
RZ

Description	Highly sensitive diaphragm pressure regulator.	
Media	compressed air or non-corrosive gases	
Supply pressure	max. 20 bar depending on the accuracy range	AR: the smaller P ₁ the higher the accuracy, min. 1 bar
Accuracy	max. 10 bar at pressure range < 120 mbar	< e.g. 10% FS pressure deviation
Air consumption	at maximum volume flow	without constant bleed
Adjustment	manual by turning the spindle under the cover of the spring cage	
Relieving function	non-relieving, optionally relieving	
Relief capacity	Can be adjusted independently of outlet pressure. On non-relieving designs: blocked exhaust valve.	
Gauge port	not available	Mounting position any
Temperature range	-20 °C to 60 °C / -4 °F to 140 °F	
Material	Body: SG cast iron GGG50, GGG40 at DN50 Spring cage: aluminium	Elastomer: NBR/Buna-N, optionally FKM Inner valve: brass and stainless steel



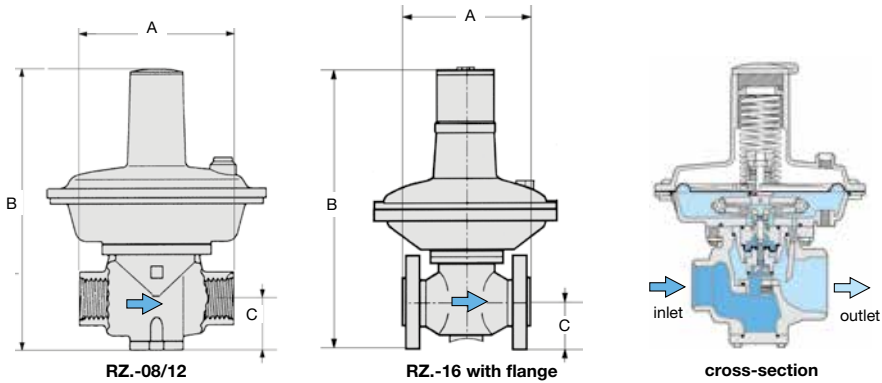
Dimensions			Accuracy	Nominal size	Flow rate	P ₁ max.	Connection thread	Pressure range	Order number
A	B	C	%	DN	l/min*1	bar*2	G	mbar	

Low press. regulator w. positioning spring									
P ₁ : max. 20 bar, non-relieving									
100	245	30	10	17	1800	10	G1	15 ... 20	RZ1-08A
								20 ... 30	RZ1-08B
								30 ... 40	RZ1-08C
								40 ... 70	RZ1-08D
								70 ... 110	RZ1-08E
								110 ... 180	RZ2-08F
								180 ... 300	RZ2-08G
100	245	30	10	17	2700	10	G1½*3	15 ... 20	RZ1-12A
								20 ... 30	RZ1-12B
								30 ... 40	RZ1-12C
								40 ... 70	RZ1-12D
								70 ... 110	RZ1-12E
								110 ... 180	RZ2-12F
								180 ... 300	RZ2-12G
254	460	80	5	22	15000	10	flange	10 ... 18	RZ1-16AF
								15 ... 30	RZ1-16BF
								25 ... 49	RZ1-16CF
								40 ... 75	RZ1-16DF
								62 ... 120	RZ1-16EF
								100 ... 170	RZ1-16FF
								145 ... 270	RZ1-16GF
								230 ... 350	RZ1-16HF
								280 ... 720	RZ2-16IF
								840 ... 1250	RZ2-16KF
								100	245
20 ... 30	RZ1-12B								
30 ... 40	RZ1-12C								



Special options, add the appropriate letter

further ranges	RZ3-08 / -12	700 ... 1100	I	1100 ... 2000	J	2000 ... 3000	RZ3-... K
further ranges	RZ2-16	1050 ... 2300	L			2000 ... 4400	RZ3-16M
relieving		with relieving function, adjustable					RZ-... R
FKM elastomer							RZ-... V
flange connection		see chapter for stainless steel devices / flanges					RZ-... F.
nitrogen	N ₂ : 07	carbon dioxide	CO ₂ : 03	argon	Ar:		RZ-... 05
helium	He: 09	hydrogen	H ₂ : 11	methane	CH ₄ :		RZ-... 13
oxygen	O ₂ : 15 (max. 16 bar)	propane	C ₃ H ₈ : 16	nitrous oxide	N ₂ O:		RZ-... 17



*1 at 4 bar supply pressure and max. outlet pressure *2 see description above *3 G1 thread at inlet

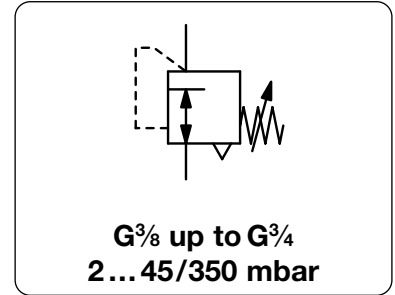
* Product group

PDF CAD www.aircom.net Order example: **RZ1-08A**

PRECISION LOW PRESSURE REGULATOR, WITH RELIEVING FUNCTION

R4100

Description	High precision diaphragm pressure regulator with high flow, without zero shut-off (counterpressure is required).
Media	compressed air or non-corrosive gases
Supply pressure	max. 10 bar
Accuracy	sensitivity < 2 mbar
Air consumption	without constant bleed
Adjustment	by handwheel with locknut
Relieving function	relieving
Gauge port	G $\frac{1}{4}$ on both sides of the body, screw plug supplied
Mounting position	any
Temperature range	0 °C to 90 °C / 32 °F to 194°F, for appropriately conditioned compressed air down to -40 °C / -40 °F
Material	Body: aluminium die-cast Elastomer: NBR/Buna-N Inner valve: stainless steel, brass, aluminium and steel



Dimensions			K _v -value (m ³ /h)	Flow rate		Connection thread G	Pressure range mbar	Order number	D*
A	B	C		m ³ /h*1	l/min*1				

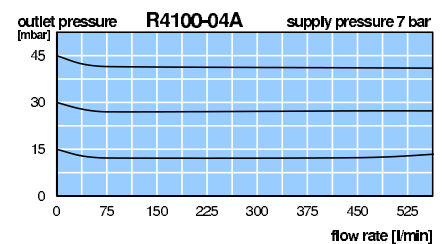
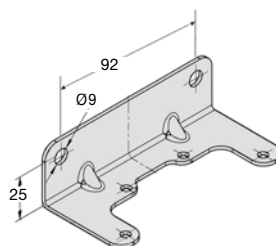
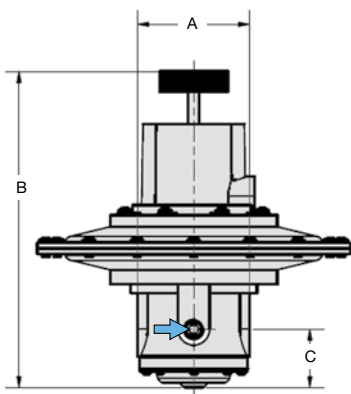
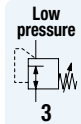
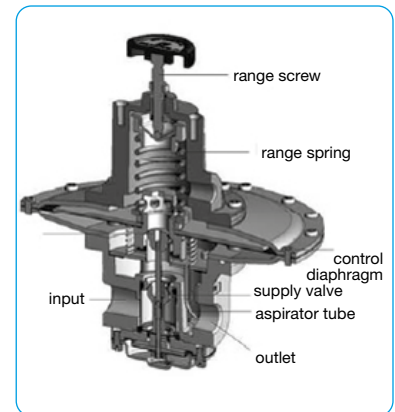
Precision low pressure regulator							P1: max. 10 bar, relieving, without constant bleed	R4100		
87	219	40	0.24	30	500	G $\frac{3}{8}$	2... 45	R4100-03A		
							2... 95	R4100-03B		
							5...210	R4100-03C		
							5...350	R4100-03D		
87	219	40	0.27	36	600	G $\frac{1}{2}$	2... 45	R4100-04A		
							2... 95	R4100-04B		
							5...210	R4100-04C		
							5...350	R4100-04D		
87	219	40	0.30	42	700	G $\frac{3}{4}$	2... 45	R4100-06A		
							2... 95	R4100-06B		
							5...210	R4100-06C		
							5...350	R4100-06D		

Special options, add the appropriate letter

NPT	connection thread	R4100-...N
tapped exhaust	connection thread G $\frac{1}{4}$	R4100-...X12
tamper-proof cap	made of aluminium, adjustment by screwdriver, height 295 mm	R4100-...T
FKM elastomer		R4100-...V
flange connection	see chapter for stainless steel devices / flanges	R4100-...F.

Accessories, enclosed

pressure gauge	Ø 63 mm, 0...*2 mbar, G $\frac{1}{4}$	MA6302-...*2
mounting bracket	made of steel	BW00-47



*1 at 10 bar supply pressure and max. outlet pressure *2 B6 = 0...60 mbar, C2 = 0...160 mbar, C3 = 0...250 mbar, C4 = 0...400 mbar

* Product group

Gauges: see chapter for measuring devices

PDF CAD
www.aircom.net

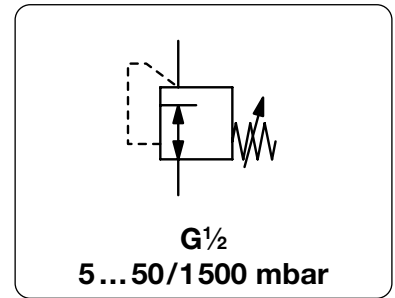


Order example:
R4100-03A

PRECISION LOW PRESSURE REGULATOR FOR PURE GASES UP TO 5.0 PURITY

RR

Description	Precision regulator in mbar range without auxiliary power. Accurate and reliable regulation with large diaphragm for high sensitivity compressed air or non-corrosive gases up to 5.0 purity (99.999% vol.)
Media	compressed air or non-corrosive gases up to 5.0 purity (99.999% vol.)
Supply pressure	max. 20 bar
Air consumption	without constant bleed
Adjustment	by handwheel with locknut
Relieving function	non-relieving
Gauge port	G $\frac{1}{2}$ on the bottom side of the body, screw plug supplied
Mounting position	any
Temperature range	-20 °C to 70 °C / -4 °F to 158 °F, for CO $_2$ up to 40 °C / 104 °F
Material	Body: grey-coated brass Diaphragm: EPDM with PTFE coating O-rings: NBR/Buna-N Inner valve: brass



Dimensions			Flow rate		Connection thread	Pressure range	Order number
A	B	C	m 3 /h*1	l/min*1	G	mbar/bar	

Low pressure regulator				supply pressure max. 20 bar, non-relieving, without constant bleed		RR
164	156	41	5	75	G $\frac{1}{2}$	RR-04A
			12	200		RR-04B
			30	500		RR-04C
			45	750		RR-04D
			51	850		RR-04E



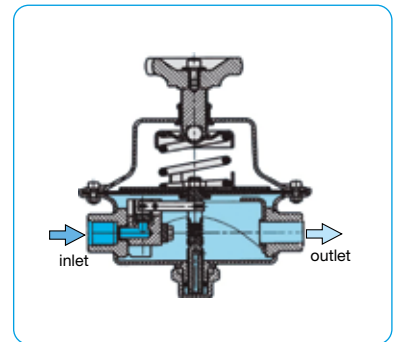
RR

Special options, add the appropriate letter

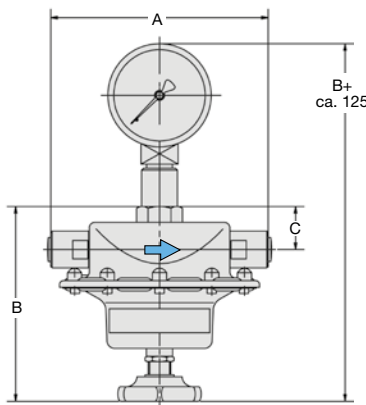
free of grease and oil	suitable for oxygen and flammable gases	RR-...L
pressure gauge	Ø 100 mm, 0... bar, handwheel at the bottom	RR-...G

Accessories, enclosed

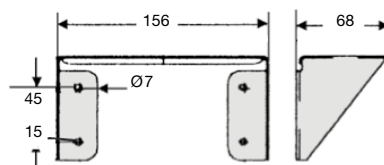
mounting bracket	made of steel	for RR-04	BW00-64
------------------	---------------	-----------	---------



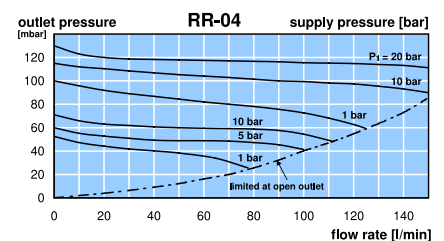
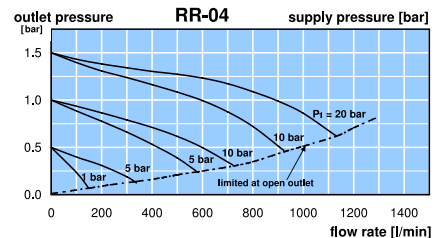
cross-section



RR-04 with gauge



BW00-64



*1 at 6 bar supply pressure and open outlet

* Product group